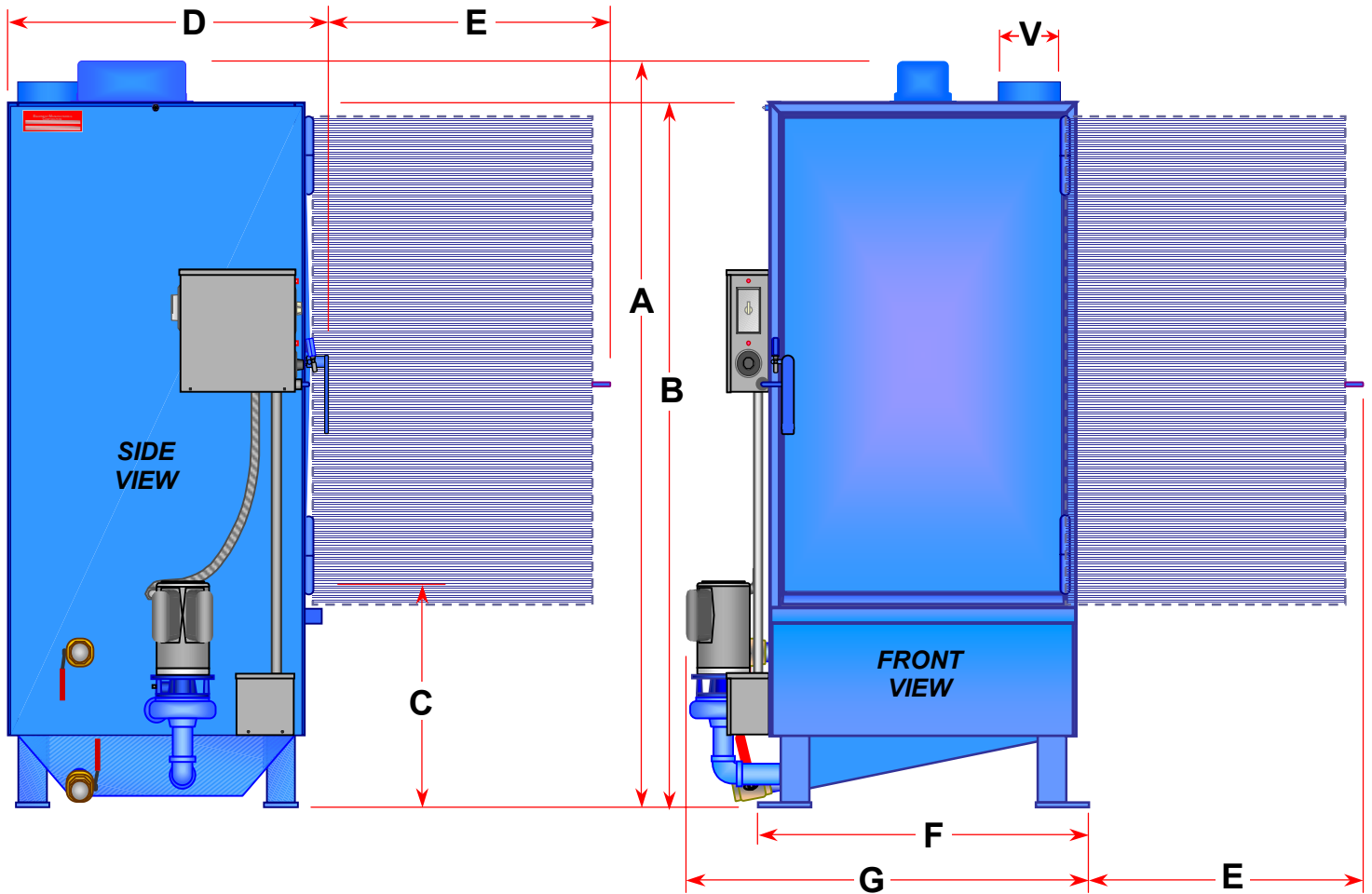


POWERJET® Outside Cabinet Dimensions

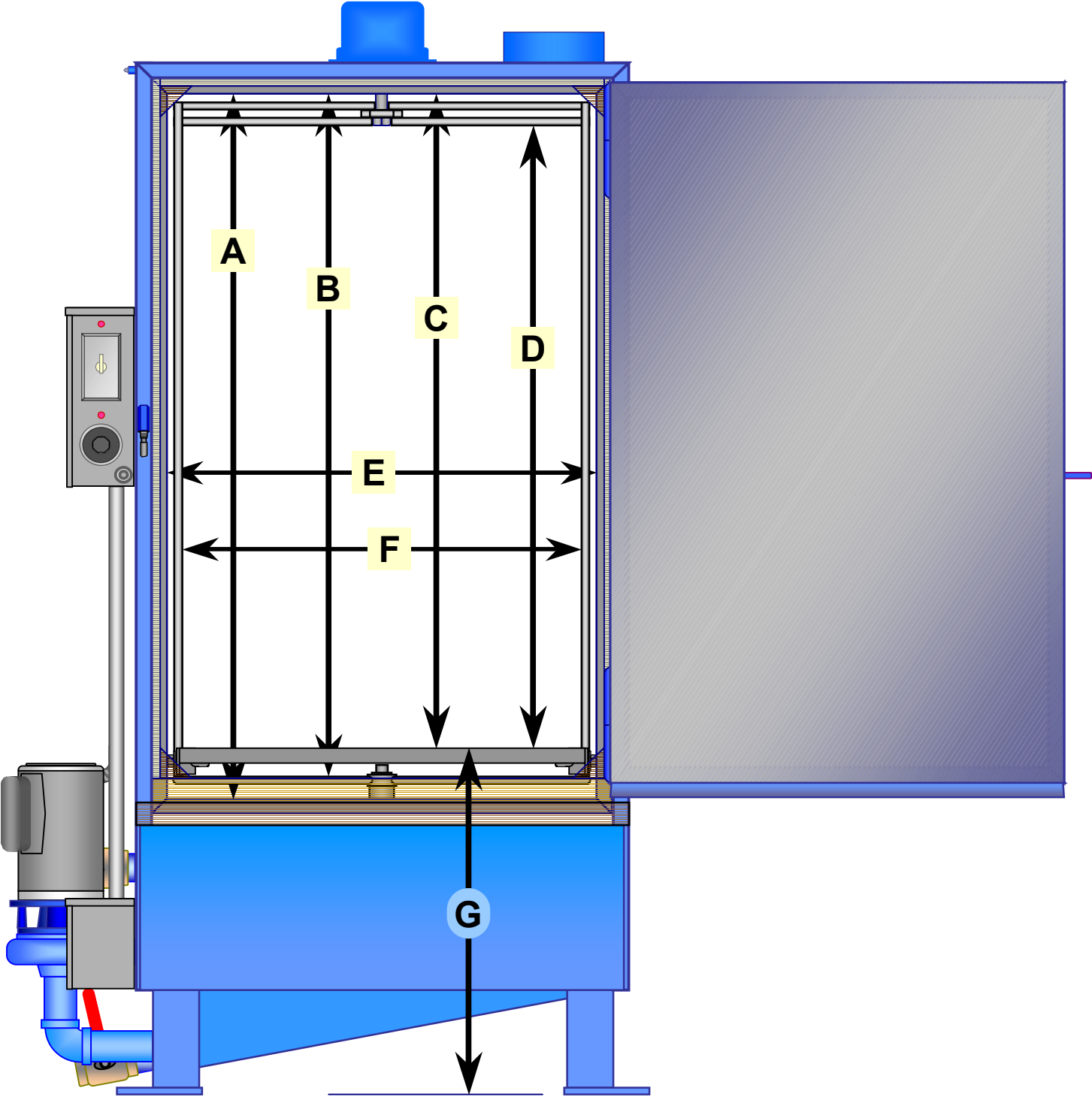


	A Total Height	B Frame Height	C Floor to Top of Turntable Shelf (Adjustable)	D Depth, Front to Rear	E Door Swing Clearance	F Foot Pad Width, Side to Side	G Total Width, Side to Side	V Vent Stack Inside Diameter
2846	73"	69"	min. 23½"	33"	add 30"	35"	42"	6"
4046	73"	69"	min. 24"	45"	add 42"	47"	54"	8"
5846	73"	69"	min. 24½"	63"	add 60"	65"	72"	12"

EMC reserves the right to change specifications without notice
This product is protected under US Patents: 5730872, 5772843, and 6115541

Equipment Manufacturing Corporation
 14930 Marquardt Avenue ° Santa Fe Springs, CA 90670 USA
 (888) 833-9000 ° (562) 623-9394 ° (562) 623-9342 Fax
www.equipmentmanufacturing.com

Wash Area & Load Size Clearances



	A <i>Top Manifold to Bottom Manifold</i>	B <i>Top Manifold to Bottom Rotor Bar</i>	C <i>Top Manifold To Turn Table (Lowest position)</i>	D <i>Top Rotor Bar To Turn Table (Lowest position)</i>	E <i>Manifold Side to Side</i>	F <i>Rotor Bars Side to Side</i>	G <i>Floor to Turn Table top (Lowest position)</i>
2846	46"	44½"	42¾"	40¾"	28"	25½"	23½"
4046	46"	44½"	42¼"	40¼"	40"	37½"	24"
5846	46"	44"	41"	39"	58"	55"	24½"